

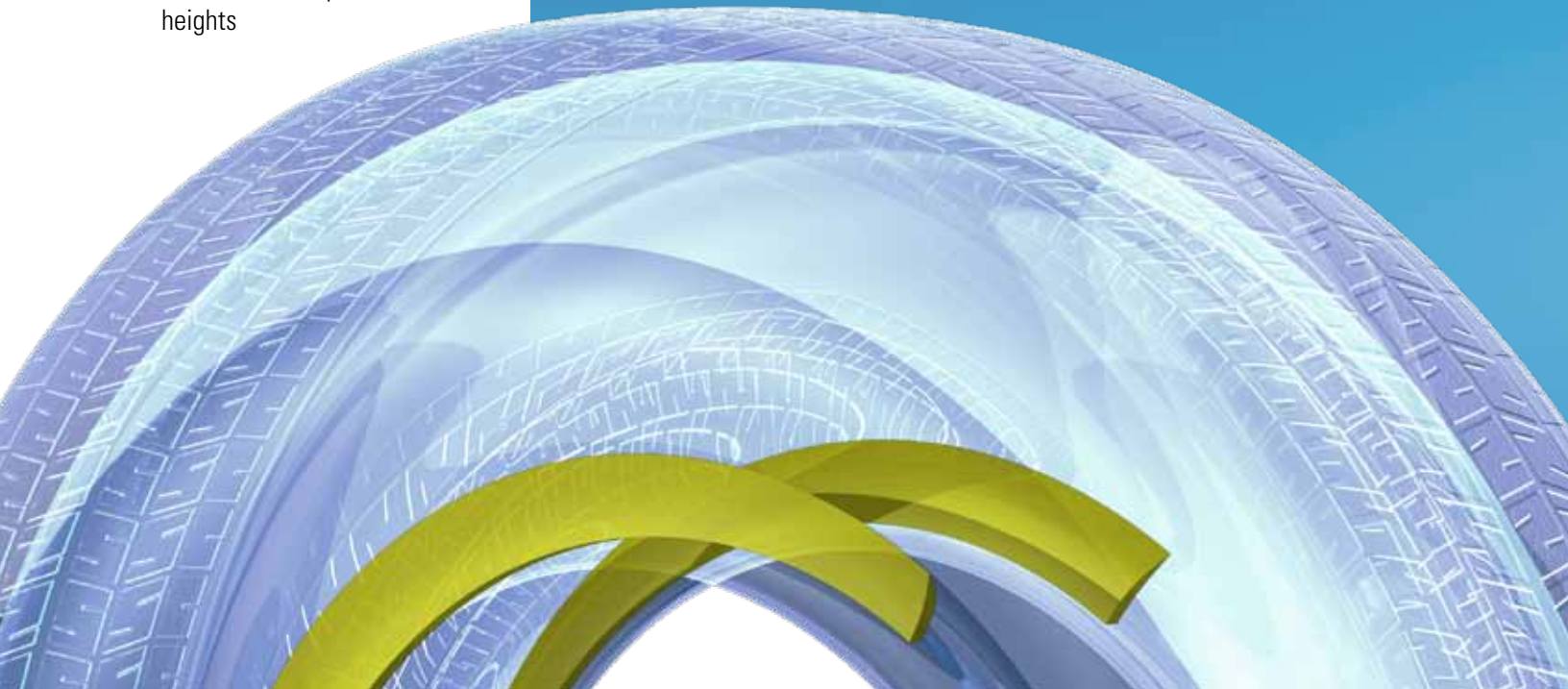
The fastest and most efficient method to apex tire beads also allows the highest degree of flexibility and customization to match your tire building process. As the pioneer of automated apex systems The Steelastic Company remains committed to delivering the best in quality machinery to meet your most demanding production requirements.

- Capable of cycle times under eight seconds
- Single system capacity of up to 9,000 beads per day
- Most effective apex to bead stitching available
- Industry best change over times achieved by no tools approach
- Product stacking configured to your TBM needs
 - Manual type
 - Servo gantry type
 - Robotic type
 - Automated cart handling
 - Flat, conical, curved, or other complex geometry spacers
- Flexibility to any of your requirements
 - Single wire, ribbon, or wrapped beads
 - Straight or angle apex
 - Soft to hard compounds
 - 8mm to 75mm apex heights

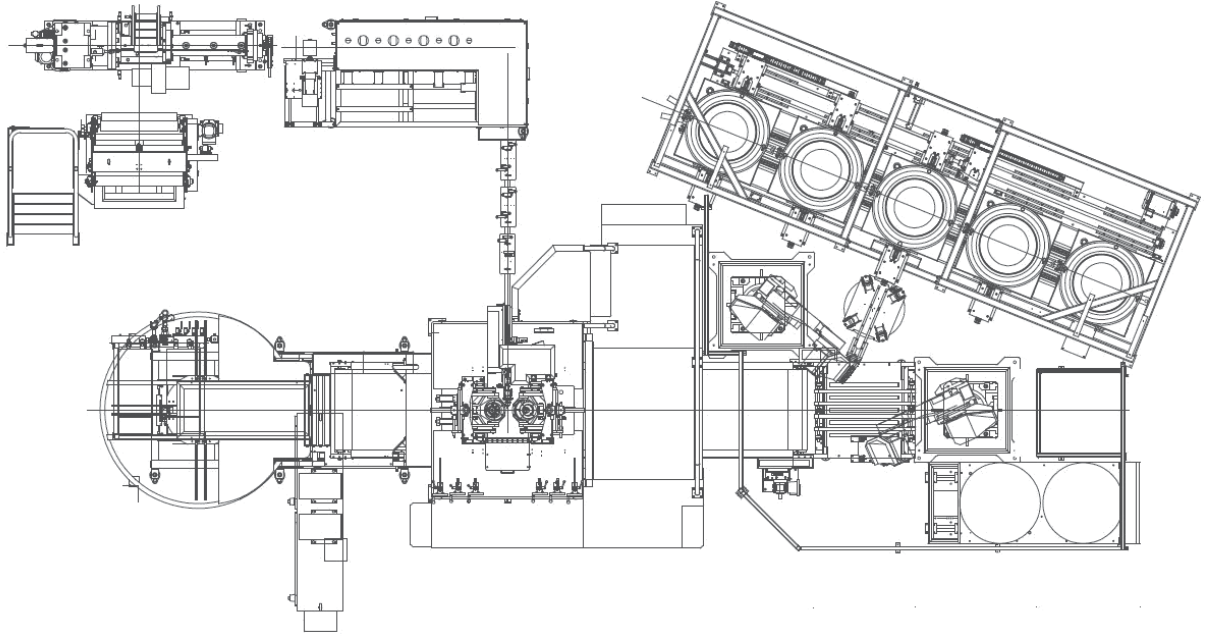
 **STEELASTIC®**

APEX APPLICATION SYSTEM

Flexible - Versatile - Effective



APEX APPLICATION SYSTEM



SPECIFICATIONS

- Nominal Bead Range:** 12 inch to 24 inch
Apex Base Width: 4mm to 12mm
Apex Height: 8mm to 75mm
Apex Shape: Vertical or angled to 20°
Extruder Size: 3.5 inch (90mm) smooth barrel
Product Cycle Time:

SECONDS		APEX HEIGHT (mm)					
		≤50	55	60	65	70	75
BEAD DIAMETER (in)	≤15	7.5	8.0	8.5	9.0	9.5	10.0
	16	7.8	8.3	8.8	9.3	9.8	10.3
	17	8.2	8.7	9.2	9.7	10.2	10.7
	18	8.5	9.0	9.5	10.0	10.5	11.0
	19	8.8	9.3	9.8	10.3	10.8	11.3
	20	9.2	9.7	10.2	10.7	11.2	11.7
	21	9.5	10.0	10.5	11.0	11.5	12.0
	22	9.9	10.4	10.9	11.4	11.9	12.4
	23	10.2	10.7	11.2	11.7	12.2	12.7
	24	10.5	11.0	11.5	12.0	12.5	13.0

- Loading System:** Carousel type, 60 to 80 beads per arm
 (Dependent on bead width)
Unloading System: Manual / Gantry stacking / Robotic Stacking
Separators: Flat / Conical / Curved / Other Complex Geometry
Cart Type: System is customizable to required cart design

CUSTOMIZATIONS & OPTIONS

- Overall system layout is highly flexible and configurable
 - Automatic splice and weight inspection systems
 - Manual to fully automatic unloading systems
-
- Method and apparatus covered under U.S. Patents #5,989,374 and #5,735,995
 - Other U.S. and foreign patents pending